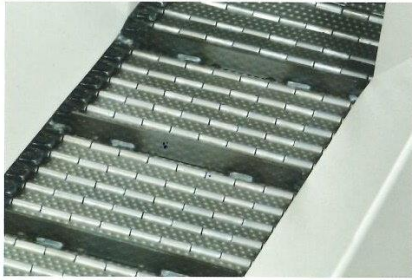


FCA-2050

Steel Belt Chip Conveyor Standard Model



Belt pitch 31.75mm, for general machine tool chip removal, such as for CNC lathes and machining centers.

Features

- With dimply steel belt design. This prevents the sticking of tiny chips and efficiently promotes chip removal. The steel belt is also very durable.
- The steel belt chip conveyor is made with high tension.
- This model can be matched with various machine tools, machining centers, drills, planer type milling machines and other dedicated machinery.
- CE approved.

Applicable Chips



**Pitch: 31.75mm
Frame: 3mm**

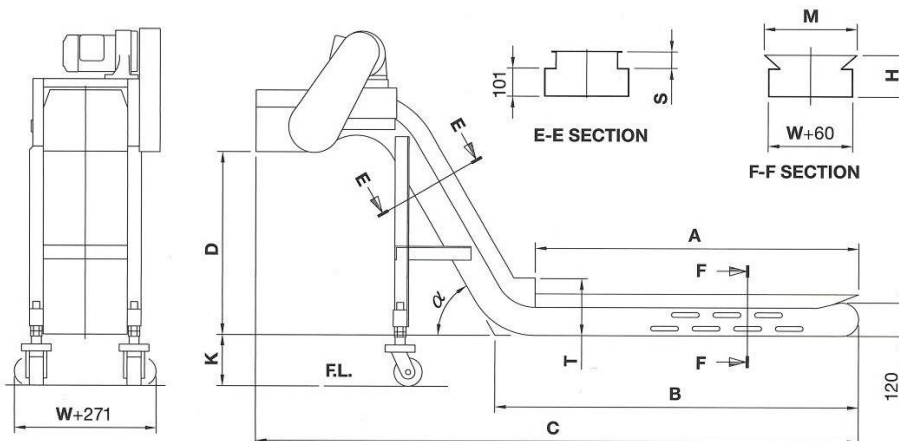
Option

W 100 150 200
 250 300 350
 400 450 500
 550 600 650
 700 750 800
α 0° 15° 30° 45° 60°

Customization

Fill in Blank _____ Unit

A _____ mm
B _____ mm
C _____ mm
D _____ mm
K _____ mm
T _____ mm
H _____ mm
M _____ mm
S 60 mm
HP _____ mm
Max. Removal Load
 _____ kg/hr
Max. Flow Rate
 _____ ℓ/min

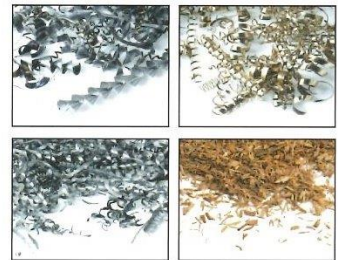


FCA-2080

Steel Belt Chip Conveyor Standard Model



Applicable Chips



Belt pitch 50.8mm, for general machine tool chip removal, such as for CNC lathes and machining centers.

Features

- With dimply steel belt design. This prevents the sticking of tiny chips and efficiently promotes chip removal. The steel belt is also very durable.
- The steel belt chip conveyor is made with high tension.
- This model can be matched with large conventional machines tools, CNC machine tools, small/medium-sized presses and laser cutting machines.
- CE approved.

Pitch: 50.8mm
Frame: 3mm

Option

- W 180 240 300
 360 420 480
 540 600 720
 780 1020
 1200 1560

α 0° 15° 30° 45° 60°

Customization

Fill in Blank _____ Unit

A _____ mm

B _____ mm

C _____ mm

D _____ mm

K _____ mm

T _____ mm

H _____ mm

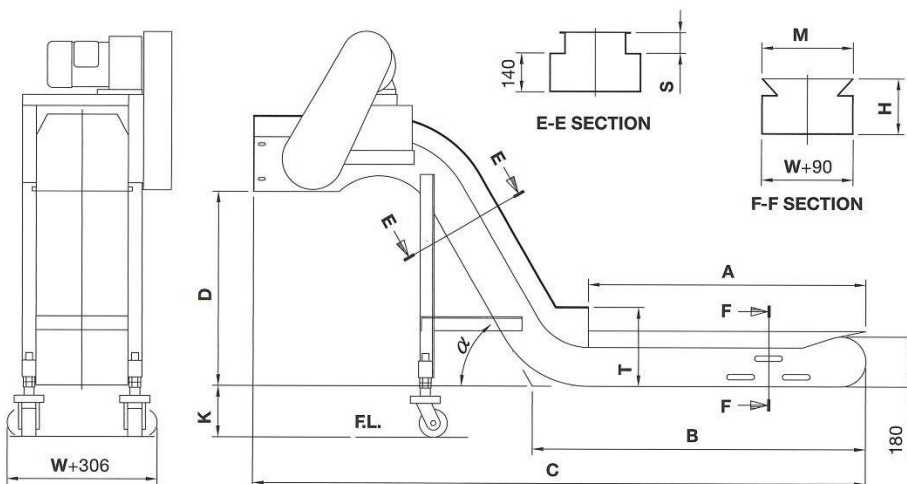
M _____ mm

S _____ 75 _____ mm

HP _____ mm

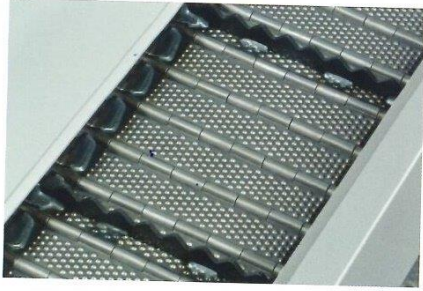
Max. Removal Load
_____ kg/hr

Max. Flow Rate
_____ ℓ /min



FCA-2100

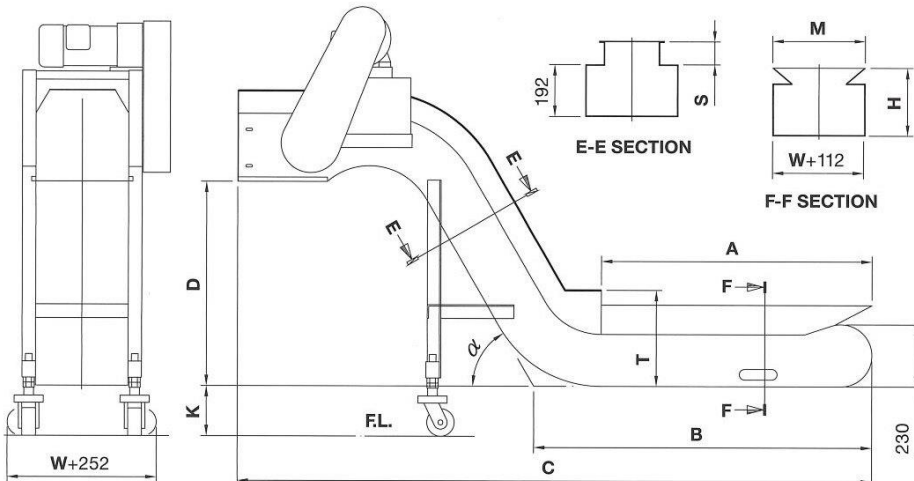
Steel Belt Chip Conveyor Standard Model



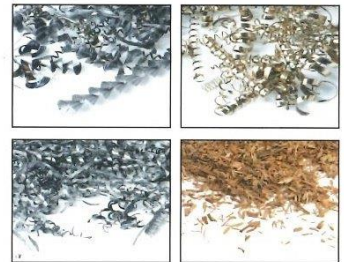
Belt pitch 63.5mm, for general machine tool chip removal, such as for CNC lathes and machining centers.

Features

- With dimply steel belt design. This prevents the sticking of tiny chips and efficiently promotes chip removal. The steel belt is also very durable.
- The steel belt chip conveyor is made with high tension.
- This model can be matched with various extrusion presses, forging presses, punching presses, and production lines for automotive components, wheel rims and other turnkey processes.
- CE approved.



Applicable Chips



**Pitch: 63.5mm
Frame: 3mm**

Option

W 152 230 306
 382 460 612
 687 763 916
 α 0° 15° 30° 45° 60°

Customization

Fill in Blank _____ Unit

A _____ mm
 B _____ mm
 C _____ mm
 D _____ mm
 K _____ mm
 T _____ mm
 H _____ mm
 M _____ mm
 S _____ 85 _____ mm
 HP _____ mm
Max. Removal Load
 _____ kg/hr
Max. Flow Rate
 _____ ℓ/min

FCB-2060

Scraper Type Chip Conveyor Standard Model



Suitable for Dry Chips under
60mm



Applicable Chips



Pitch: 381mm
Frame: 3mm

Option

W 100 125 150
 175 200 225
 250 275 300
 325 350 375
 400 425 450
 475 500 525
 550 575 600
 625 650 675
 700 725 750
 775 800

α 30° 45° 60°

Scraper type for powders and tiny chips, such as copper, aluminum and casting iron chips. Usually used for dry cutting processes.

Features

- Special design for chip removal.
- The scraper chip conveyor is made with high tension.
- This model is suitable for non-scrolled type chips, such as iron, casting iron, copper and aluminum chips.
- This model can be matched with various machine tools, machining centers, drills, planer type milling machines, gear machines and other dedicated machinery.
- CE approved.

Customization

Fill in Blank _____ Unit

A _____ mm

B _____ mm

C _____ mm

D _____ mm

K _____ mm

T _____ mm

H _____ mm

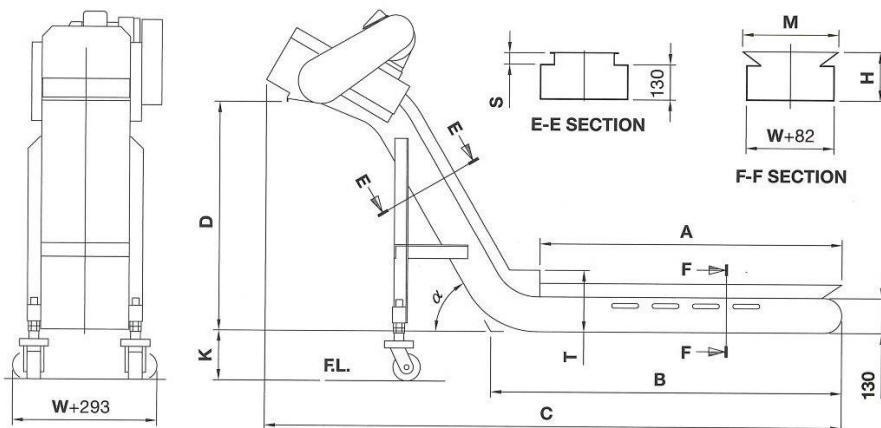
M _____ mm

S 42 _____ mm

HP _____ mm

Max. Removal Load

_____ kg/hr



FCB-2060A

Scraper Type Chip Conveyor Precision Model



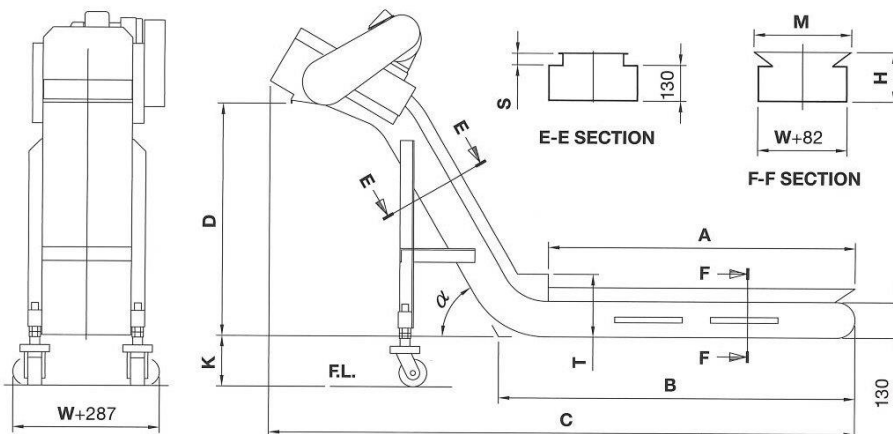
Suitable for Chips between
2~60mm



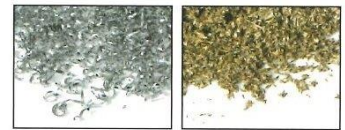
Scraper type for powders and tiny chips, such as copper and aluminum chips.

Features

- Specially designed for chip removal.
- The scraper chip conveyor is made with high tension.
- This model applies to non-scrolled type chips, such as iron, casting iron, copper and aluminum chips.
- Features a filter box design.
- This model can be matched with various machine tools, machining centers, drills, planer type milling machines, gear machines and other dedicated machinery.
- CE approved.



Applicable Chips



Pitch: 38.1mm
Frame: 3mm

Option

- W 100 125 150
 175 200 225
 250 275 300
 325 350 375
 400 425 450
 475 500 525
 550 575 600
 625 650 675
 700 725 750
 775 800
alpha 30° 45° 60°

Customization

Fill in Blank _____ Unit

- A _____ mm
B _____ mm
C _____ mm
D _____ mm
K _____ mm
T _____ mm
H _____ mm
M _____ mm
S _____ 42 _____ mm
HP _____ mm
Max. Removal Load _____ kg/hr
Max. Flow Rate _____ ℓ/min

FCB-2060B

Scraper Type Chip Conveyor Magnetic Model



Suitable for Chips between
2~60mm



Applicable Chips



Pitch: 381mm
Frame: 3mm

Option

W 100 125 150
 175 200 225
 250 275 300
 325 350 375
 400 425 450
 475 500 525
 550 575 600
 625 650 675
 700 725 750
 775 800

α 30° 45° 60°

Customization

Fill in Blank _____ Unit

A _____ mm

B _____ mm

C _____ mm

D _____ mm

K _____ mm

T _____ mm

H _____ mm

M _____ mm

S _____ 42 _____ mm

HP _____ mm

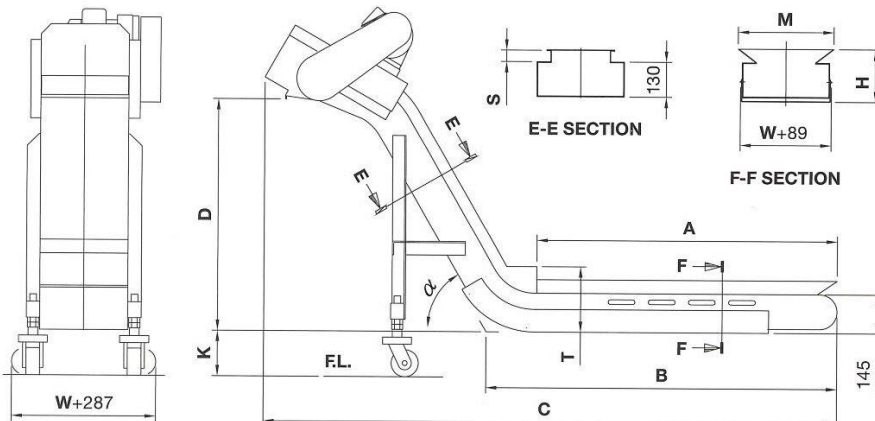
Max. Removal Load
_____ kg/hr

Max. Flow Rate
_____ ℓ /min

Scraper type for powders and tiny chips, such as casting iron chips.

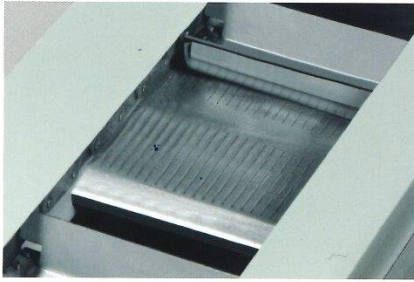
Features

- Specially designed for chip removal.
- The scraper chip conveyor is made with high tension.
- This model applies to non-scrolled type chips, such as casting iron chips.
- This model can be matched with various machine tools, machining centers, drills, planer type milling machines, gear machines and other dedicated machinery.
- CE approved.

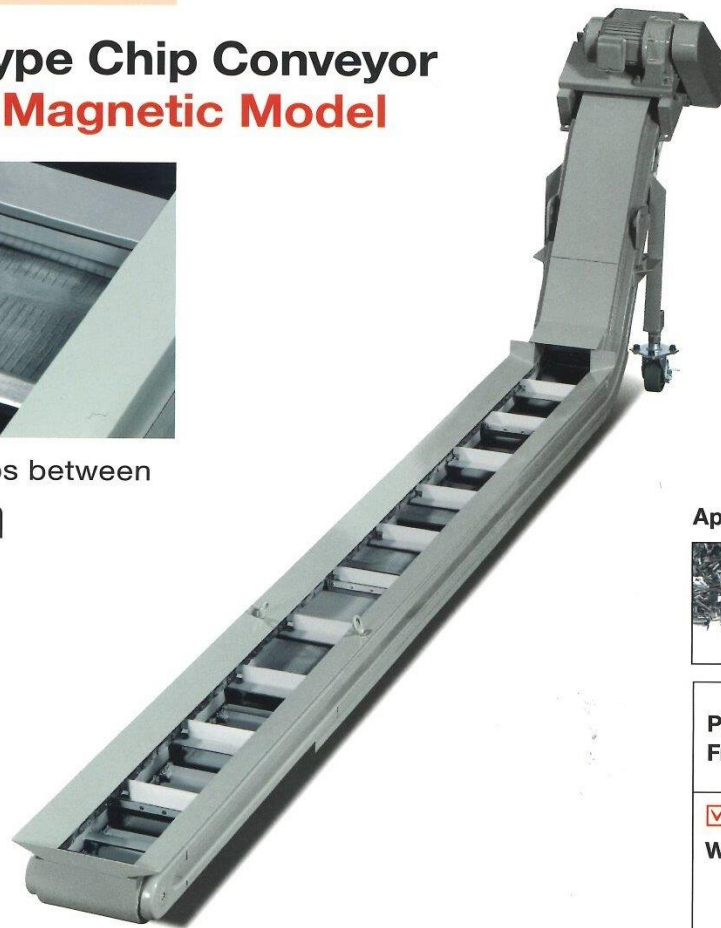


FCB-2060C

Scraper Type Chip Conveyor Precision Magnetic Model



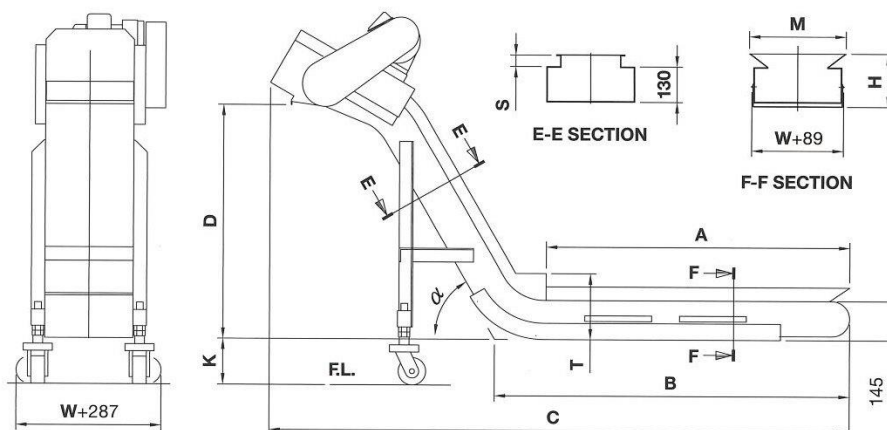
Suitable for Chips between
2~60mm



Scraper type for powders and tiny chips, such as casting iron chips.

Features

- Specially designed for chip removal.
- The scraper chip conveyor is made with high tension.
- This model applies to non-scrolled type chips, such as casting iron chips.
- Features a filter box design.
- This model can be matched with various machine tools, machining centers, drills, planer type milling machines, gear machines and other dedicated machinery.
- CE approved.



Applicable Chips



Pitch: 38.1mm
Frame: 3mm

Option

- W 100 125 150
 175 200 225
 250 275 300
 325 350 375
 400 425 450
 475 500 525
 550 575 600
 625 650 675
 700 725 750
 775 800
 α 30° 45° 60°

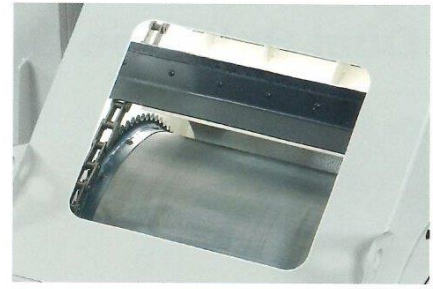
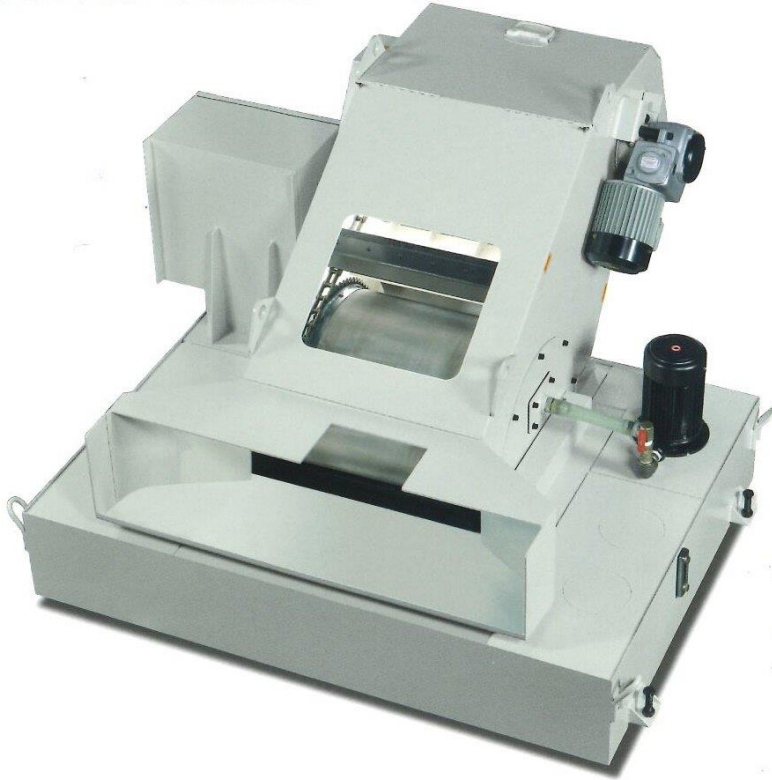
Customization

Fill in Blank _____ Unit

- A _____ mm
 B _____ mm
 C _____ mm
 D _____ mm
 K _____ mm
 T _____ mm
 H _____ mm
 M _____ mm
 S _____ 42 _____ mm
 HP _____ mm
 Max. Removal Load _____ kg/hr
 Max. Flow Rate _____ ℓ /min

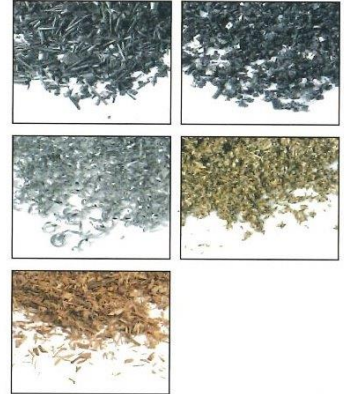
FCD-2060

Drum Type Chip Conveyor External Model



For Tiny Chips

Applicable Chips



Chain pitch 381mm, for general machine tool chip removal with drum type filter system.

Features

- Suitable for conveying tiny chips with cutting coolant, especially aluminum chips, light metallic chips, titanium alloy chips, magnesium chips and powder chips.
- Filter precision of 150µm without blockages.
- Equipped with an automatic cleaning device.
- This model can be matched with various machine tools, machining centers, drills, planer type milling machines and other dedicated machinery.
- CE approved.

Pitch: 381mm
Frame: 3mm

Option

- W 400 450 500
 570 600 700
 800 900 1000

Customization

Fill in Blank _____ Unit

A _____ mm

B _____ mm

C _____ mm

D _____ mm

E _____ mm

K _____ mm

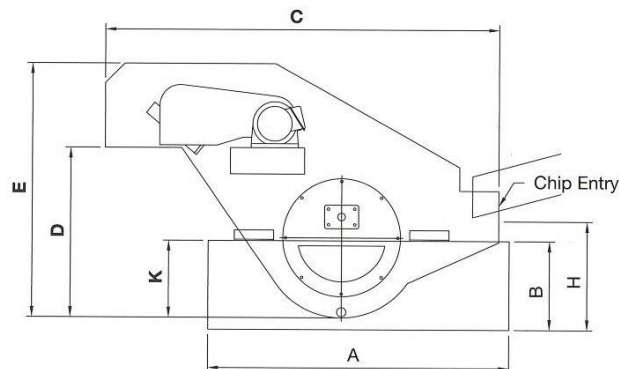
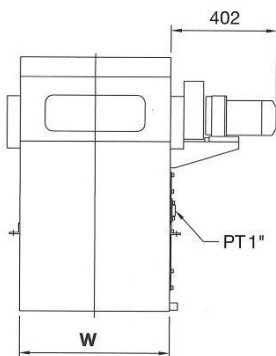
H 350 mm

W _____ mm

HP _____ mm

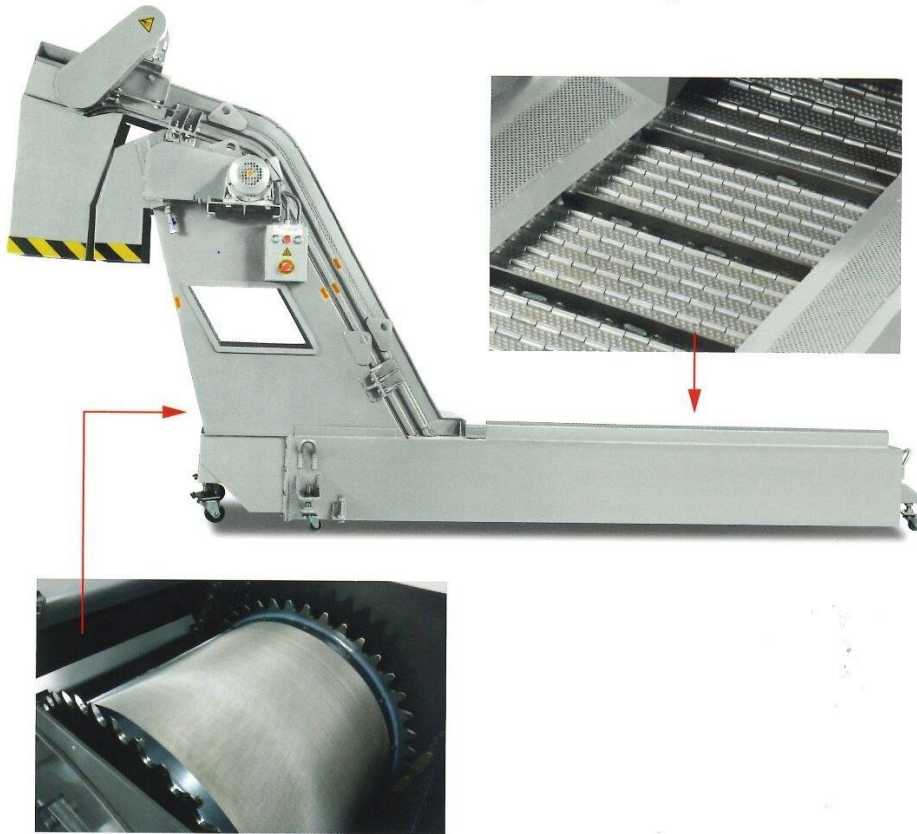
Max. Removal Load
_____ kg/hr

Max. Flow Rate
_____ ℓ/min



FCE-2000

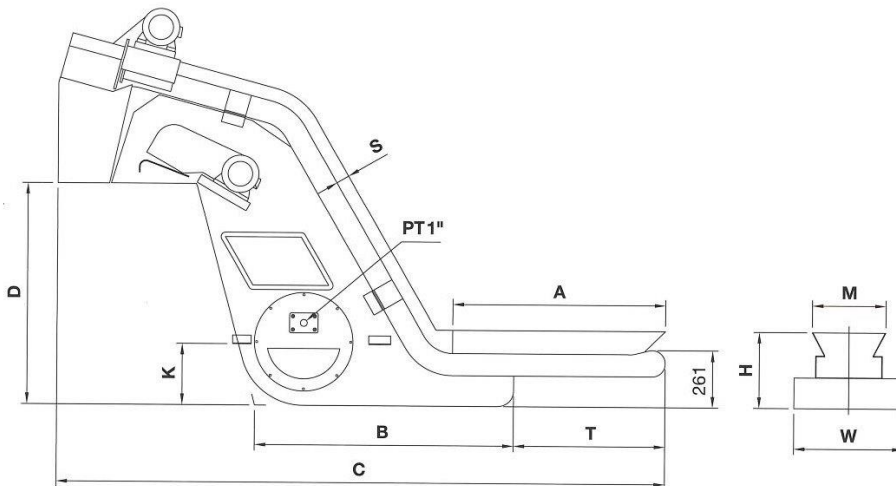
Dual Belt Type Chip Conveyor (For All Kinds of Chips)



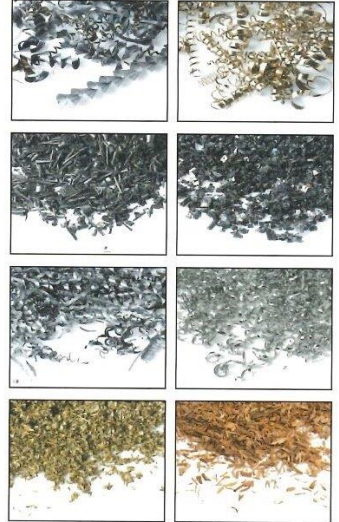
For compound processing and conveying a wide variety of iron chips.

Features

- Suitable for compound processes, and features excellent chip removal with high filter precision.
- This model is applicable for both long and short mixed chips.
- With advanced filter system to process a lot of coolant, and a filter precision of 150µm without blockages.
- This model can be matched with various machine tools, machining centers, drills, planer type milling machines and other dedicated machinery.
- CE approved.



Applicable Chips



Pitch: 38.1mm
Frame: 3mm

Option

W 400 500 570
 600 800 900
 1000

Customization

Fill in Blank _____ Unit

A _____ mm

B _____ mm

C _____ mm

D _____ mm

K _____ mm

T _____ mm

H 350 mm

W _____ mm

M _____ mm

S 60 mm

HP _____ mm

Max. Removal Load
_____ kg/hr

Max. Flow Rate
_____ l/min