

# BED-TYPE MILLING MACHINE

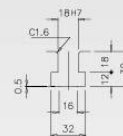
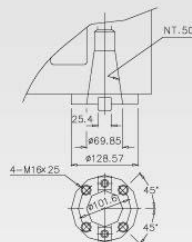
Model: ●U-1600 Universal Milling Head  
 ●H-1600 Horizontal Milling Head  
 ●V-1600 Vertical Milling Head

●U-1600CNC Universal Milling Head with CNC controller  
 ●CNC-1600G BT50 Gear Head with CNC controller



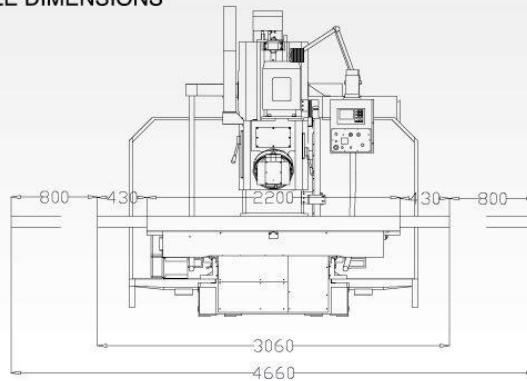
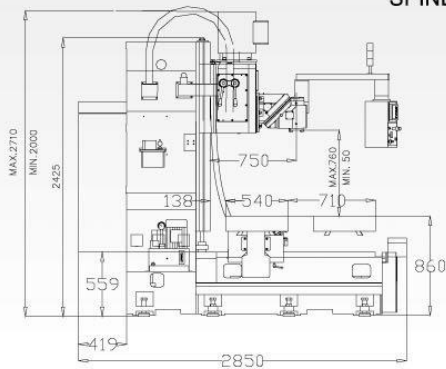
FU-1600

## ↓ Dimensions of the machine



SIZE OF THE T-SLOT

SPINDLE DIMENSIONS



ITEM	MODEL	U-1600	FH-1600	FV-1600	FU-1600CNC	CNC-1600G
<b>Working table</b>						
Table size		540 x 2200				
Longitudinal travel		1600				
Spindle nose to table		50~760	—	150~860	50~760	150~860
Spindle centre to table (Horizontal)		50~760	90~800	—	50~760	—
Cross travel		710 (Opt.:760)				
Variable traverse rates (X, Y)		Variable				
Longitudinal & cross traverse rates		16~1200			1~4000	
Longitudinal & cross rapid traverse rates		2000			4000	
T-slot (W-number x L)		18 x 6 x 80				
Max. table load		1500				
<b>Spindle</b>						
Spindle taper		NT 50				BT 50 / ATC 24 tools
Number of speeds		8				2 steps L/H
Spindle speeds (R.P.M.)		120~1500	125~1650	120~1500	120~1500	0~4500
<b>Column</b>						
Vertical travel		710				
Vertical traverse rates (variable)		Variable				
Vertical traverse rates		8~450			1~2000	
Vertical rapid traverse rates		700			2000	
Spindle centre to column surface		750	—	750	750	680
Spindle nose to column surface		750	450	—	750	—
<b>CNC</b>						
CNC controller		—			FANUC, HEIDENHAIN, and more	
<b>Motor Details</b>						
Spindle motor		15 HP				s.v 11 ~15 HP
Feed motor	Longitudinal feed	3 HP (option: 5 HP)			s.v 2.5 kW	
	Cross feed	3 HP (option: 5 HP)			s.v 2.5 kW	
	Vertical feed	3 HP (option: 5 HP)			s.v 2.5 kW	
Coolant pump		0.18 kW				1.2 kW
Lubrication pump		3L - 4W				
<b>Dimensions</b>						
Length x width x height (Frame)		2850 x 2200 x 2415				
Length x width x height (Standard)		2850 x 3060 x 2700				
Floor space		2850 x 5100				
Net weight (approx)		6500				7200
<b>Packing</b>						
Length x With x Height		2850 x 2300 x 2525				

\*Specification subject to change without prior notice.