




**List of machines from demonstration / warehouse stock
Status 07.08.2019 *Special Nett Prices, ex works Germany @ 0.61**

<p>SL-15.02 pneumatic</p> 	<p>Year of construction: 2015 Condition: like new/not used</p> <p>Completeness as on picture</p> <p>Machine no: 02.154.0563</p> <p>Delivery time: 2 weeks</p>	<p>\$17,900.00</p>
		
		

TDF-1A, 230 V		<p>Year of construction: 2014 Condition: as on the picture</p> <p>Machine number: 08.511.0055</p> <p>Delivery time: 2 weeks</p>	\$45,000.00
----------------------	--	---	--------------------


**List of machines from demonstration / warehouse stock
Status 07.08.2019 *Special Nett Prices, ex works Germany @ 0.61**

<p>TDFI-3 (K) Machine</p> 	<p>Year of construction: 2015 Condition: New</p> <p>With tools and workshop trolley</p>	<p>\$250,000.00</p>
<p>TD-2 RV Machine</p>  	<p>Year of construction: 2012 Demonstration machine</p> <p>Machine no: 08.200.0134</p> <p>Complete / Slight signs of wear (flaking paint)</p>	<p>\$75,000</p>

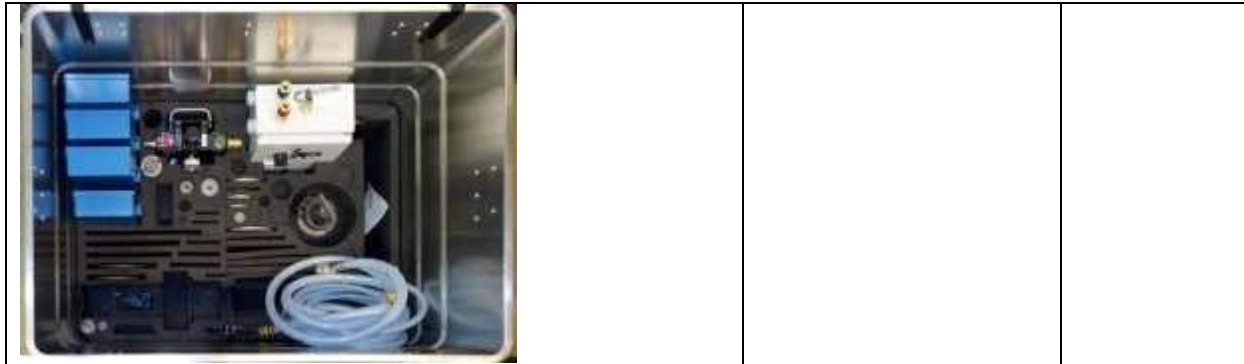
List of machines from demonstration / warehouse stock
 Status 07.08.2019 *Special Nett Prices, ex works Germany @ 0.61


<p>LKD-2 accessories for TD-2</p>	<p>Condition and accessories see picture</p>	<p>\$9,400.00</p>
<p>ARS-2, pneumatic</p>	<p>Condition and accessories see picture</p>	<p>1,200.00</p>

**List of machines from demonstration / warehouse stock
Status 07.08.2019 *Special Nett Prices, ex works Germany @ 0.61**

<p>ARS-2, 230 V</p> 	<p>Condition and accessories see picture</p>	<p>\$1,490.00</p>
<p>TSV-150</p> 	<p>Year of construction: 2009 machine no.: 01.150.0003</p> <p>Condition: Like pictures</p>	<p>\$26,300.00</p>

**List of machines from demonstration / warehouse stock
Status 07.08.2019 *Special Nett Prices, ex works Germany @ 0.61**




<p>ENT (Condition: new)</p>  <p>example</p>	<p>ENT-1 (4 pieces)/ #31068</p> <p>300x300</p> <p>ENT-2 (5 pieces)/ #31069</p> <p>500x500</p> <p>ENT-3 (1 piece)/ #31070</p> <p>1000x1000</p> <p>ENT-4 (2 pieces)/ #31070</p> <p>1500x1500</p>	<p>Unitprice \$3,500.00</p> <p>\$8,600.00</p> <p>\$23,500.00</p> <p>\$24,600.00</p>
---	--	---

<p>FLM-400</p>  <p>Example</p>	<p>1 piece</p> <p>Condition: new</p>	<p>\$20,900.00</p>
---	--	---------------------------

**List of machines from demonstration / warehouse stock
Status 07.08.2019 *Special Nett Prices, ex works Germany @ 0.61**

<p>FLM-600</p>  <p>Example</p>	<p>1 piece</p> <p>Condition: new</p>	<p>\$32,000.00</p>
<p># TD-2 (old version)</p> 	<p>Year of construction: 2015</p> <p>Complete / condition new / see picture</p> <p>Dial option: Pneumatic or electric actuator</p>	<p>\$74,500.00</p>
<p>Hand grinding table / Polishing table</p> 	<p>4 pieces</p> <p>Condition: new</p>	<p>\$1,700.00</p>

**List of machines from demonstration / warehouse stock
Status 07.08.2019 *Special Nett Prices, ex works Germany @ 0.61**

<p>VSA -1</p> 	<p>Year of construction: 1998</p> <p>Machine no: 03.100.0018</p> <p>Standard accessories without workshop trolley</p> <p>Demonstration Machine</p>	<p>\$12,500.00</p>
--	--	---------------------------

<p>TDF-1 (pneumatic version)</p>  	<p>08.510.0061</p> <p>Year of construction 2018</p> <p>Condition: see picture/ like new</p> <p>-Acceptance as on picture (DL drive incl. WE, hoses and chain tensioning system)</p> <p>-TDF-1 complete system 230V</p> <p>-Surcharge for DL drive (incl. WE and hoses)</p> <p>-Surcharge for chain tensioning system</p>	<p>\$40,900.00</p> <p>\$36,750.00</p> <p>\$3,500.00</p> <p>\$2,500.00</p>
---	---	---

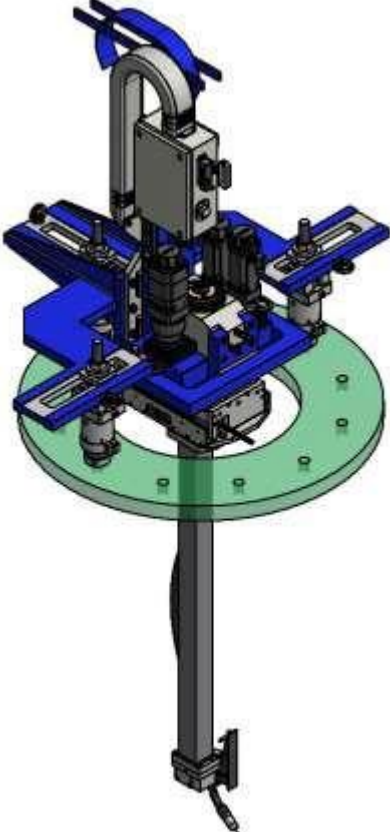

List of machines from demonstration / warehouse stock
 Status 07.08.2019 *Special Nett Prices, ex works Germany @ 0.61

TDF-2, 230 V

	<p>Year of construction: 2016</p> <p>Machine number: 08.520.0102</p> <p>Demonstration machine</p>	<p>\$69,000.00</p>
--	--	---------------------------

**List of machines from demonstration / warehouse stock
Status 07.08.2019 *Special Nett Prices, ex works Germany @ 0.61**

	<p>VSK-2 USA 30°+60°+90° 230 V</p> <p>For valves with limited space, no clamping screw for the consumables, adhesive segments are used.</p> <p>Machine number: 14.202.1327</p> <p>Year of construction: 2016</p> <p>Condition: see picture / as new</p> <p>Standard accessories</p>	<p>\$8,500.00</p>
--	--	--------------------------

<p>CW1000 NC (welding machine)</p> 	<p>#47293</p> <p>Technical details on request</p>	<p>\$430,000.00</p>
<p>Valva-3</p> 	<p>Year of construction: 2007</p> <p>Machine number: 01.300.0004</p> <p>standard accessories</p> <p>Condition: See pictures (as new) + new planetary disks including workshop case)</p>	<p>Electric drive 230 V: \$77,500</p> <p>Pneumatic drive: \$82,000.00</p>



Terms:

All of the above machines are ex-stock Germany subject to prior sale.

Payment with order prior to shipping from Germany.

Plus freight, local delivery and GST

www.cncmachinery.com.au

phone 1300 262 622